

**Agilent N6456A
2000/3000 X-Series
Oscilloscope Rack
Mount Kit**

Installation Guide



Agilent Technologies

Notices

© Agilent Technologies, Inc. 2011

No part of this manual may be reproduced in any form or by any means (including electronic storage and retrieval or translation into a foreign language) without prior agreement and written consent from Agilent Technologies, Inc. as governed by United States and international copyright laws.

Manual Part Number

N6456-97000

Edition

First edition, January 2011

Printed in Malaysia

Agilent Technologies, Inc.
1900 Garden of the Gods Road
Colorado Springs, CO 80907 USA

Warranty

The material contained in this document is provided “as is,” and is subject to being changed, without notice, in future editions. Further, to the maximum extent permitted by applicable law, Agilent disclaims all warranties, either express or implied, with regard to this manual and any information contained herein, including but not limited to the implied warranties of merchantability and fitness for a particular purpose. Agilent shall not be liable for errors or for incidental or consequential damages in connection with the furnishing, use, or performance of this document or of any information contained herein. Should Agilent and the user have a separate written agreement with warranty terms covering the material in this document that conflict with these terms, the warranty terms in the separate agreement shall control.

Technology Licenses

The hardware and/or software described in this document are furnished under a license and may be used or copied only in accordance with the terms of such license.

Restricted Rights Legend

If software is for use in the performance of a U.S. Government prime contract or subcontract, Software is delivered and licensed as “Commercial computer software” as defined in DFAR 252.227-7014 (June 1995), or as a “commercial item” as defined in FAR 2.101(a) or as “Restricted computer software” as defined in FAR 52.227-19 (June 1987) or any equivalent agency regulation or contract clause. Use, duplication or disclosure of Software is subject to Agilent Technologies’ standard commercial license terms, and non-DOD Departments and Agencies of the U.S. Government will receive no greater than Restricted Rights as

defined in FAR 52.227-19(c)(1-2) (June 1987). U.S. Government users will receive no greater than Limited Rights as defined in FAR 52.227-14 (June 1987) or DFAR 252.227-7015 (b)(2) (November 1995), as applicable in any technical data.

Safety Notices

CAUTION

A **CAUTION** notice denotes a hazard. It calls attention to an operating procedure, practice, or the like that, if not correctly performed or adhered to, could result in damage to the product or loss of important data. Do not proceed beyond a **CAUTION** notice until the indicated conditions are fully understood and met.

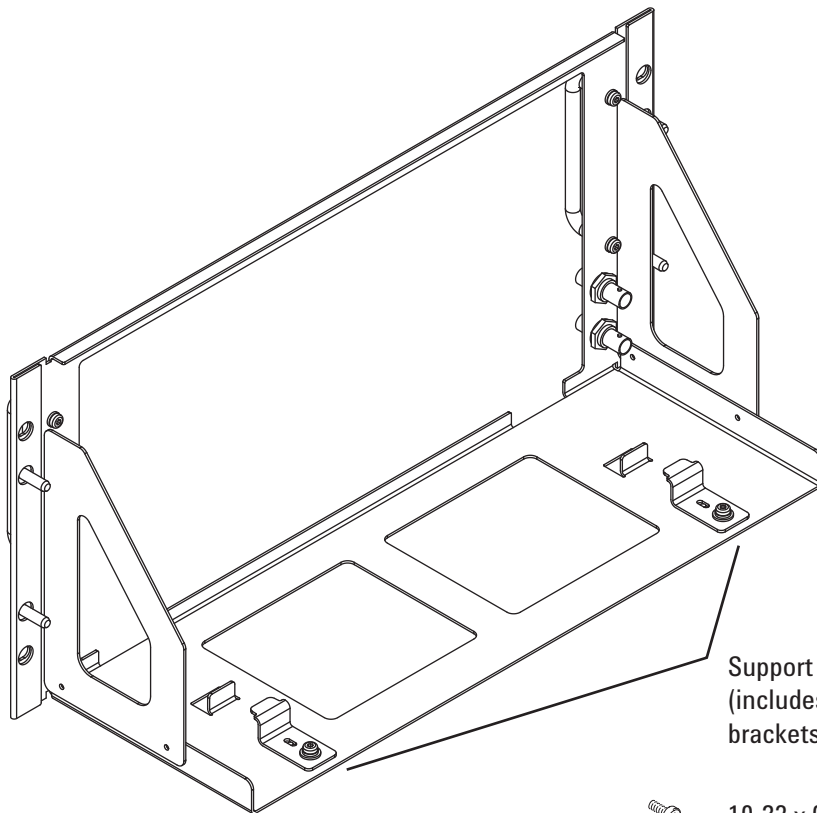
WARNING

A **WARNING** notice denotes a hazard. It calls attention to an operating procedure, practice, or the like that, if not correctly performed or adhered to, could result in personal injury or death. Do not proceed beyond a **WARNING** notice until the indicated conditions are fully understood and met.

In This Guide...

This guide contains instructions for installing the 2000/3000 X-Series Oscilloscope Rack Mount Kit. The rack mount kit provides a support shelf and hardware for mounting Agilent 1000 Series oscilloscopes into Electronic Industries Association (EIA) standard 19-inch (487-mm) rack cabinets.

The rackmount kit includes the following parts:



Support shelf assembly (1)
(includes pair of retaining
brackets for oscilloscope)

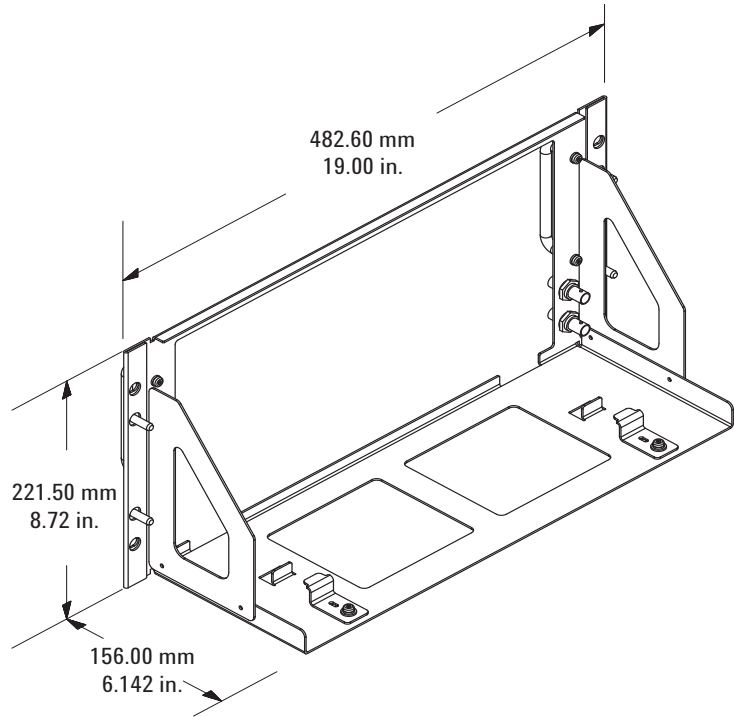


10-32 x 0.625 Phillips dress screw (4)



Sheet metal nut (4)

Here are the dimensions of the support shelf.





Installation

Prepare the support shelf [6](#)

Attach the oscilloscope to the support shelf [7](#)

Install the support shelf [9](#)

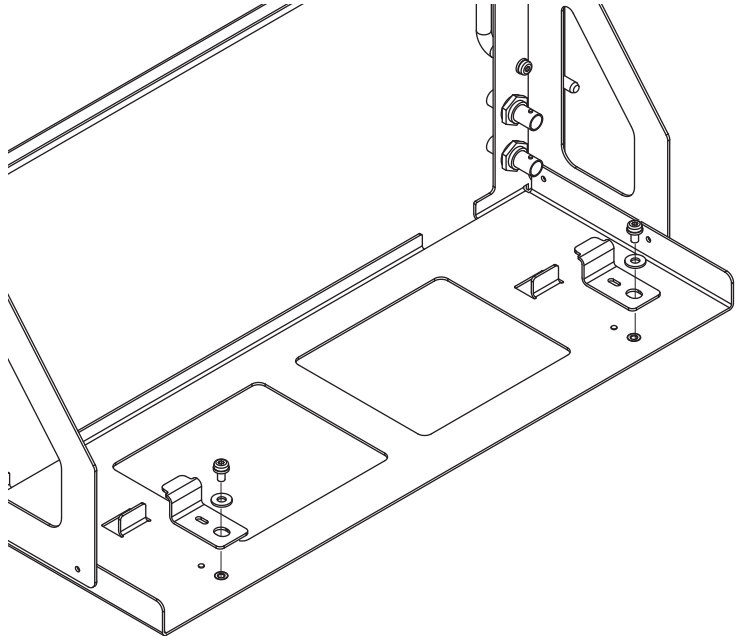
You need the following tools to install the rackmount kit:

- T20 TORX driver.
- #2 Phillips screwdriver.



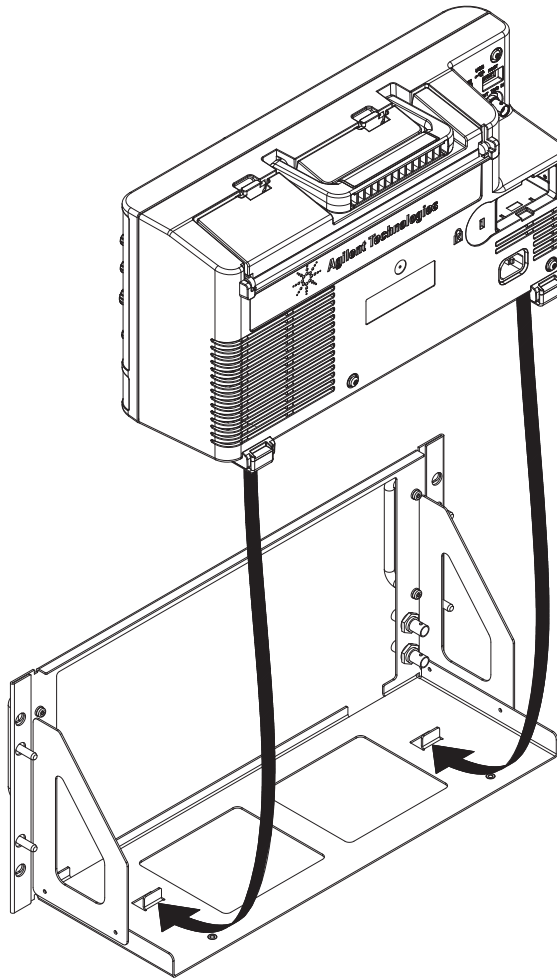
Prepare the support shelf

- 1 Remove the screws and washers that secure the two retaining brackets. Set the screws, washers, and brackets aside.



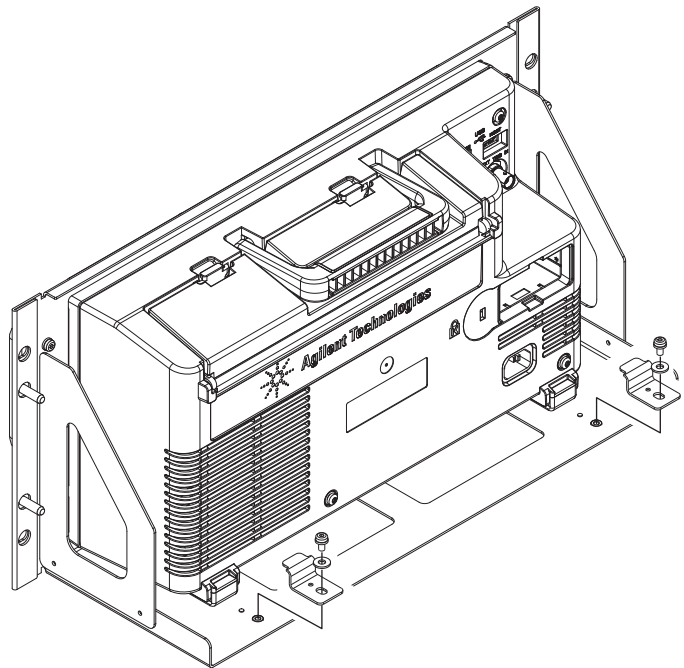
Attach the oscilloscope to the support shelf

- 1 Place the oscilloscope on the support shelf. Slightly raise the rear of the oscilloscope and slide it fully forward until it stops.



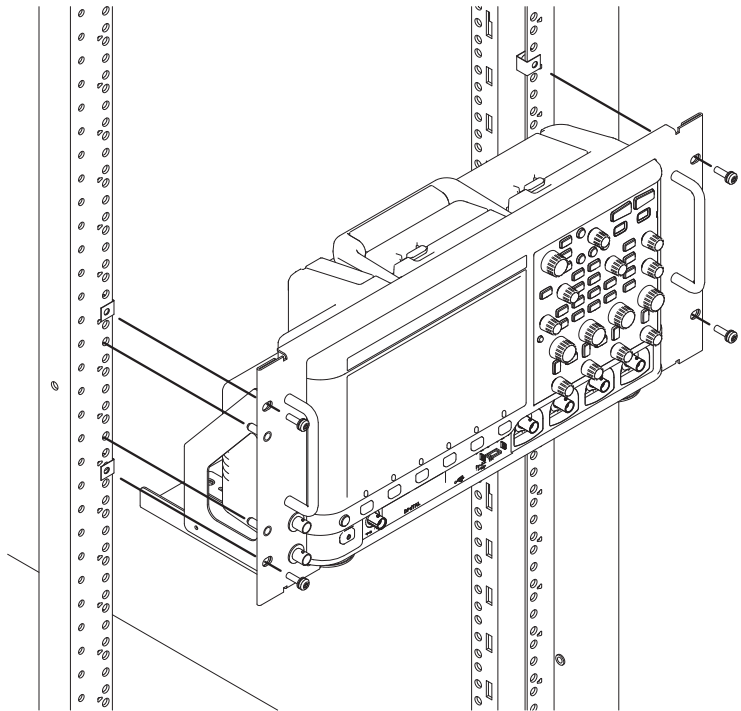
- 2 Push the oscilloscope fully forward on the support shelf assembly.

- 3** Install the two retaining brackets and washers that you previously removed:
 - a** Push the brackets fully forward until they stop against the oscilloscope's rear feet.
 - b** Secure each bracket using the screw and washer you previously removed.



Install the support shelf

- 1 Place the four sheet metal nuts at their proper locations in the rack front.
- 2 Hold the support shelf using the front handles, and using the support shelf guide pins, slide the support shelf into the rack cabinet.



- 3 Fasten the support shelf to the rack cabinet using four 10-32 dress screws.

This completes the installation.

www.agilent.com

© Agilent Technologies, Inc. 2011

Printed in Malaysia
First edition, January 2011



N6456-97000



Agilent Technologies